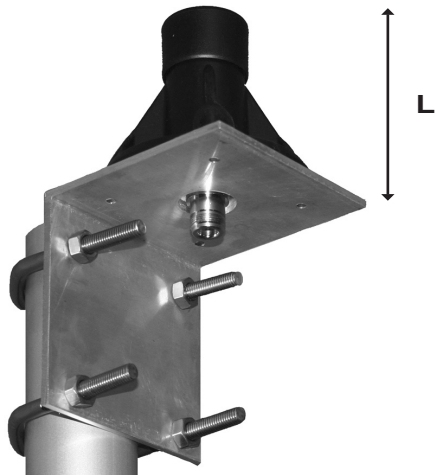
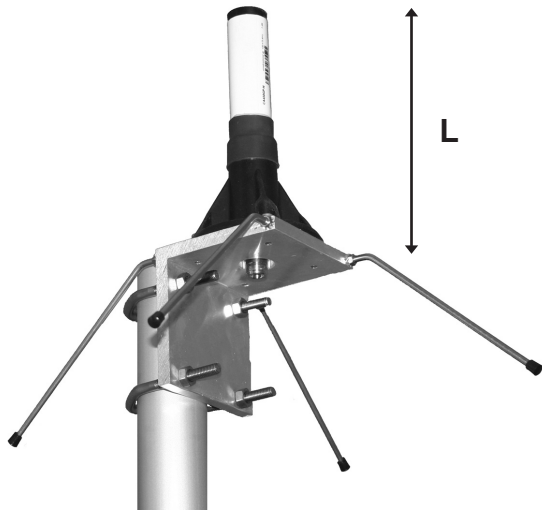


ComAnt[®] Communications Antennas



FREQUENCY INDEPENDENT DATA

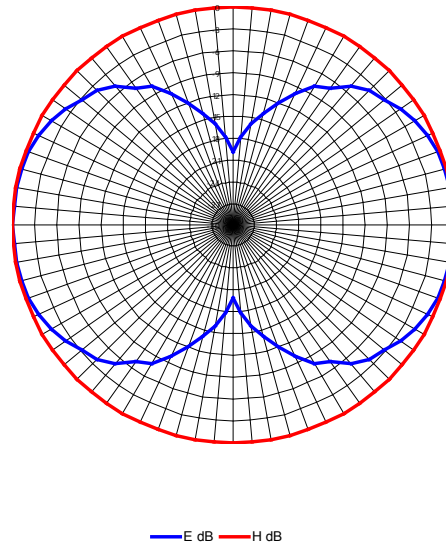
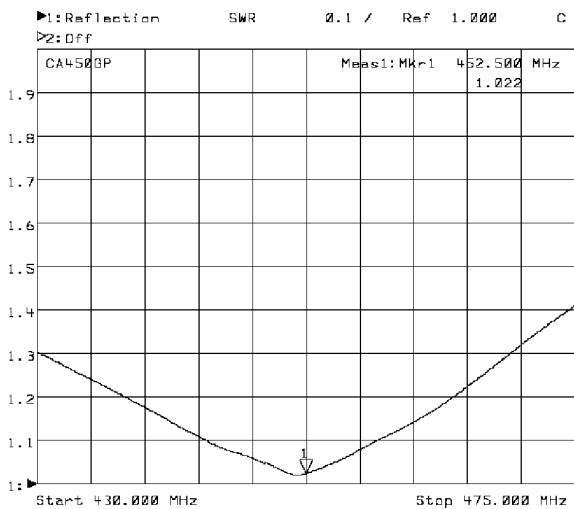
Description: omnidirectional ground plane
 Frequency: 68-72 MHz, 73-77 MHz, 77-81 MHz, 83-87 MHz, 135-145 MHz, 136-155 MHz, 144-156 MHz, 154-166 MHz, 155-174 MHz, 163-177 MHz, 336-364 MHz, 380-430 MHz, 430-475 MHz, 830-890 MHz, 890-960 MHz, 2300-2500 MHz, 5150-5725 MHz

Impedance: 50 ohm
 Gain: 2 dBi
 Polarization: vertical
 Connector: N-female/TNC-female
 VSWR: < 1.5
 Radome: UV resistant fiberglass, white / PP, black
 PU foam filling

Radiator: copper
 Attachment: Ø 35-60 mm, aluminium alloy bracket, stainless steel V-bolts and self locking nuts

Lightning protection: DC-short circuited, -grounded
 Temperature: -40° - +80°C
 IP: 67

RADIATION PATTERN



CAGP OMNIDIRECTIONAL GROUND PLANE